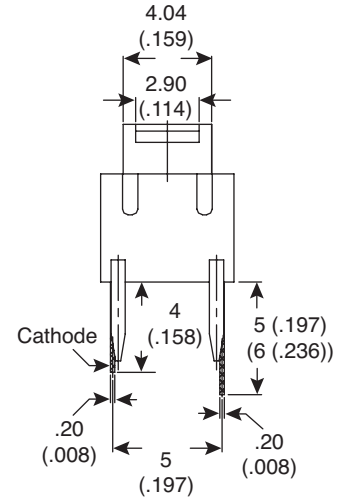
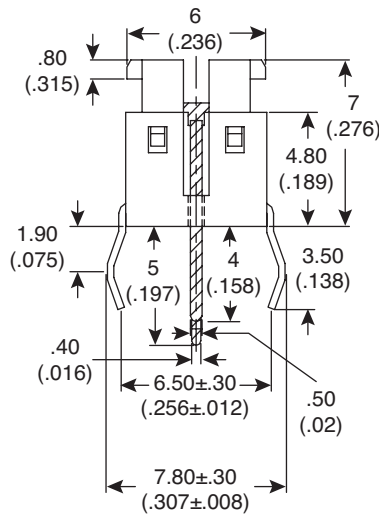
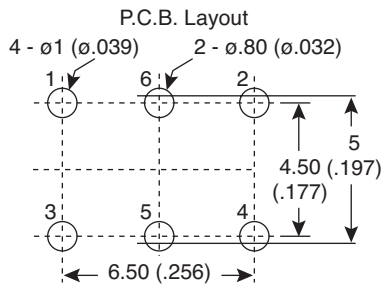
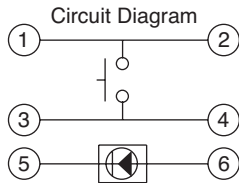
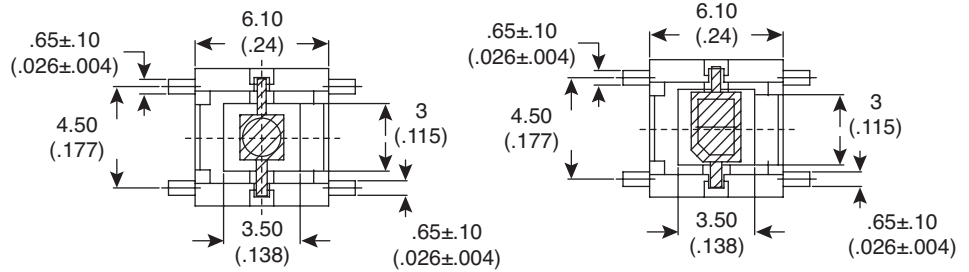
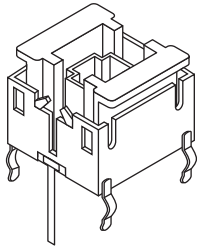


Dimensions: mm (in)



Mouser Stock No.	Led Voltage (Max)	Led Ampere. (Typical)
101-TS5511T16001W-EV	3.6V	20mA
101-TS5511T16002B-EV	3.6V	20mA
101-TS5511T16002G-EV	2.2V	20mA
101-TS5511T16002R-EV	2.2V	20mA
101-TS5511T16002Y-EV	2.2V	20mA
101-TS5511T26001W-EV	3.6V	20mA
101-TS5511T26002B-EV	3.6V	20mA
101-TS5511T26002G-EV	2.2V	20mA
101-TS5511T26002R-EV	2.2V	20mA
101-TS5511T26002Y-EV	2.2V	20mA

Mechanical Specifications:

- Operator Force: 160 ± 50gf TS5511T16002 (color)
260 ± 50gf TS5511T26002 (color)
- Stroke: 0.20 + / - 0.10 mm
- Operating temperature: -25°C to +70°C
- Storage temperature: -30°C to +80°C
- Type: SPST

Electrical Specifications:

- Rating: 50mA/12VDC
- Contact resistance: 100mΩ max.
- Insulation resistance: 100MΩ min. at 500VDC
- Dielectric strength: 250VAC/ minute

Note:

- RoHS compliant and process compatible with 260° solder

Materials:

- Contact disc: stainless steel
- Terminal: brass with silver cladding
- LED Colors: R = red
Y = yellow
G = green
B = blue
W = white

Illuminated Tactile Switches

101-TS5511T16002R-EV, 101-TS5511T16002Y-EV, 101-TS5511T16002G-EV,
101-TS5511T16002B-EV, 101-TS5511T26002R-EV, 101-TS5511T26002Y-EV,
101-TS5511T26002G-EV, 101-TS5511T26002B-EV,
101-TS5511T16001W-EV, 101-TS5511T26001W-EV

